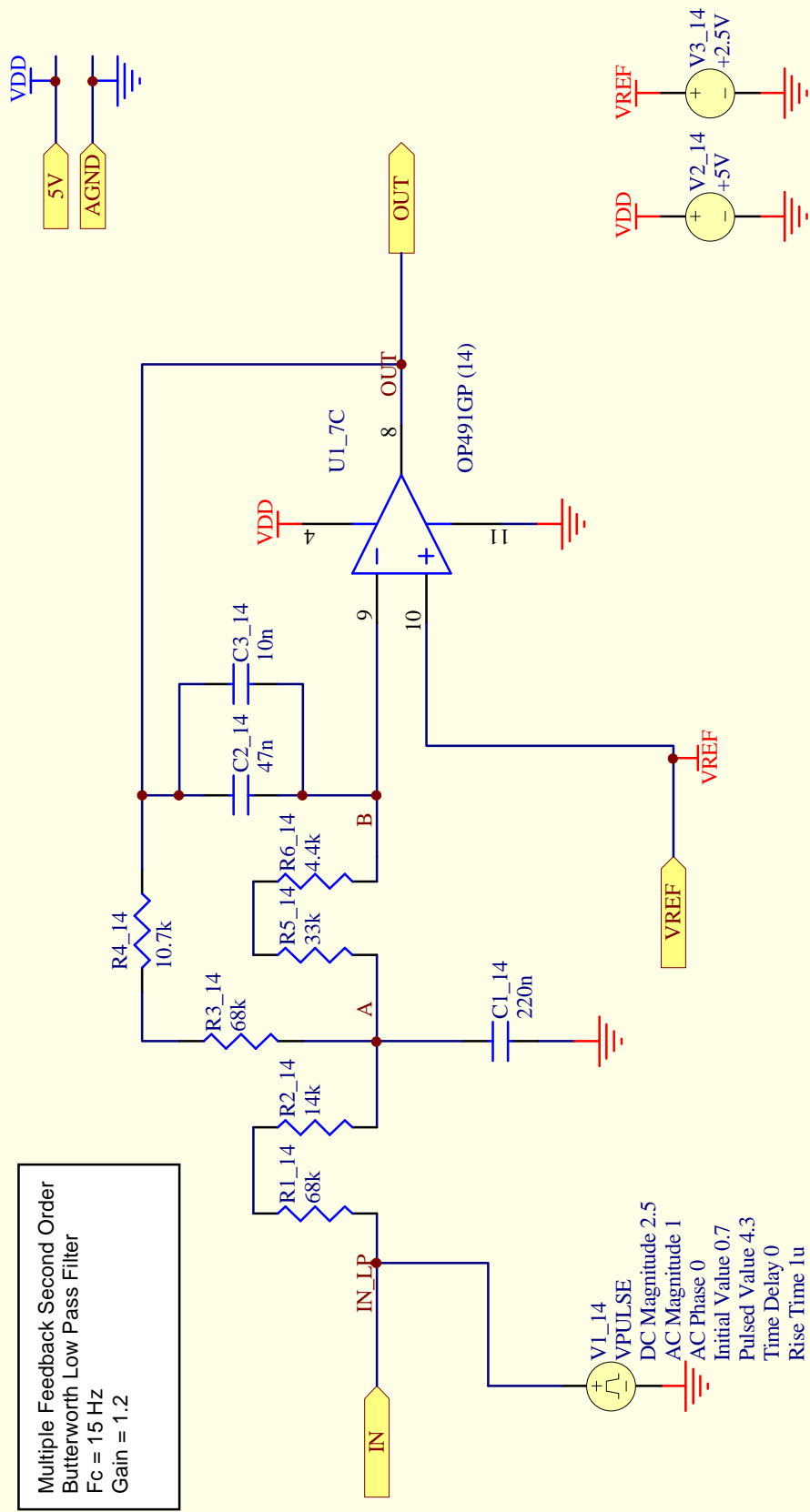


Multiple Feedback Second Order
 Butterworth Low Pass Filter
 $F_c = 15 \text{ Hz}$
 Gain = 1.2



- V1_14 VPULSE
- DC Magnitude 2.5
- AC Magnitude 1
- AC Phase 0
- Initial Value 0.7
- Pulsed Value 4.3
- Time Delay 0
- Rise Time 1u
- Fall Time 1u
- Pulse Width 50m
- Period 100m
- Phase Delay *
- *
- *
- *
- *
- *

Title **Filter Stage for Gyro ENV05 Y-Axis**

Date 12-Apr-2001

Rev 1.0 Page 14 of 16

Proj Low-Budget Inertial Navigation System
 Peter Luethi, Thomas Moser - SS 2000 IFE



Eidgenössische
 Technische Hochschule
 Zürich